

**Marine Approved, High Quality, Rugged Metal Construction Display**

KME have developed a high resolution TFT panel which is designed to withstand the maritime environment. The displays are IP sealed to withstand shock and vibration and are designed to comply with marine approved standards. The popular rack front monitor has a rugged milled aluminium rack front and is manufactured in full compliance with IACS E10.

Designed with ECDIS and Radar in mind, the range specifically meets the stringent demands of Shock, Vibration, EMC and EMI defined in the IEC 60945 International Standard for Maritime Navigation and Radio communications Equipment & Systems.

To aid installation, flexible mounting combinations include 100mm VESA standard fixings at the rear, and a separate mounting bracket for Control Desk or Overhead positioning.

The use of high quality components, robust and lightweight casing, anti - glare safety glass, transfective enhancements and touchscreen capability makes KME's monitors ideal for demanding applications.

**Features**

- The front is sealed to IP65 rating for water and dust resistance.
- Advanced Deep Dimming 2000:1 - KME have developed a deep dimming solution for the marine range which provides smooth consistent dimming to 2000:1 (dim to black is available on request)
- Optional Touchscreen Integration - KME can offer a variety of touchscreen solutions for the marine range with either serial or usb interface
- The marine range is designed to comply with EN 60945 and EN 60950. In the case of the 17" and 19" monitors some are already certified and approved to these standards
- Inputs: All monitors have VGA (multiscanning), DVI and PAL. Power 90-265V AC. DC options available

## 15" LCD Marine Rackmount Monitor 29LR153A35MP



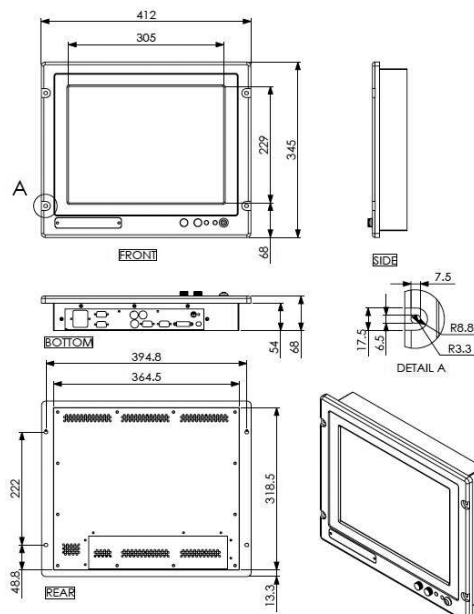
Specifications: see next page

Specifications			
TFT Characteristics	Type	15" a-Si AM TFT	
	Max. Resolution	1024 x 768 pixels	
	Active Display Area	304.1 x 228.1mm	
	Response time	13ms	
	Contrast Ratio*	450:1 typical	
	Brightness*	250 cd/m <sup>2</sup> typical	
	Viewing angles (at CR>10)	130°H, 110°V	
	Backlight life	50,000 hrs typical	
	Nr. of colours	16.7 million	
Video Signal	RGB 0.7-1.0Vp-p		
Composite Video Inputs	PAL/NTSC & SECAM with 'Picture In Picture' (PIP) facility		
Signal Sync	Separate H & V (=ve) TTL	or Composite (-ve) TTL or Sync - on - Green (-ve) 0.3V	
Synchronisation Range	Horizontal scan	31-75kHz	
	Vertical scan	60 to 75Hz	
Display modes	VESA support	640 x 480 VGA 800 x 600 SVGA 1024 x 768 XGA (recommended)	
	Power supply / consumption	90/265VAC 50/60Hz / 50W (Max)	
	Environmental	**Operating Temp	-0 to +50 °C
Storage Temp		-20 to +65 °C	
Operating Humidity		50% to 90% (non condensing)	
Storage Humidity		28% to 90% (non condensing)	
Dimensions	Monitor	430(w) x 363(h) x 89(d) mm	
	Weight	9 kg	
Input Connectors	VGA 15 - WAY D, DVI, PAL / BNC, S-VIDEO		
Sealing	IP65 on front		
Housing	Aluminium		
User controls	Front mounted		
Approvals	ECDIS & Radar Compliance	IEC 61174 - Designed to comply	
	EMC & Safety	EN 60950 - Designed to comply	
	Marine Communications	IEC 60945 - Designed to comply	
Part numbers			
Model	29LR153A35MP/5		
Ancillaries	Resistive touchscreen RS232	29LR153AR35MP/5	
	Capacitive touchscreen RS232	29LR153AC35MP/5	
	with resistive touchscreen USB	29LR153ARU35MP/5	
	Stand bracket	29ST0014LR-3	

Specifications are subject to change without notice. The /x version behind the partnumber indicates the version number. This version number may vary because of a different TFT panel being used.

\* Brightness and contrast refer to naked LCD panel.

\*\*Quoted EN60945 test. We do not recommend routine operation at extreme temperatures



## • Monitors

- Desktop Monitors
- Large screen Monitors
- Custom-made Monitors
- 19" Rack Mount Monitors
- Rear Mount Monitors
- Monitors for Panel Mount
- Monitors for VESA Mount
- Kiosks
- Accessories

## • Monitors – Specific applications

- Stainless Steel Monitors
- Car Displays
- Marine Monitors
- Military Monitors
- Replacement Monitors
- Train Monitors

## • Panel PC's

- High Performance Systems
- Custom made Panel PC's
- Low Power Systems
- Extreme environments

## • Pointing devices

- Accessories
- Touchpads
- Trackballs
- Trackball Modules
- Joysticks
- Custom made Pointing Devices

## • Keyboards

- Desktop Keyboards with or without pointer
- Built-in Keyboards with or without pointer
- Cables & Connectors
- Custom made Keyboards



Mulder-Hardenberg, est. 1927, is the answer to professional demands in the domain of electronic related environments. We don't just sell products. We use our multidiscipline knowledge to provide the best possible solution, designed to your specific interest.

### Contact details:

The Netherlands  
Mulder-Hardenberg B.V.  
Westerhoutpark 1a  
2012 JL Haarlem  
Tel.: +31 23 531 91 84  
infol@mh-h.biz

Belgium, France, Luxemburg  
Mulder-Hardenberg N.V.  
Hoge Weg 129  
B-2940 Stabroek  
Belgium  
Tel.: +32 3 660 13 20  
info@mh-h.biz

Germany  
Mulder-Hardenberg GmbH  
Nordring 13  
D-65719 Hofheim/Ts  
Tel.: +49 6192 - 97 91 85  
info@mh-h.biz